

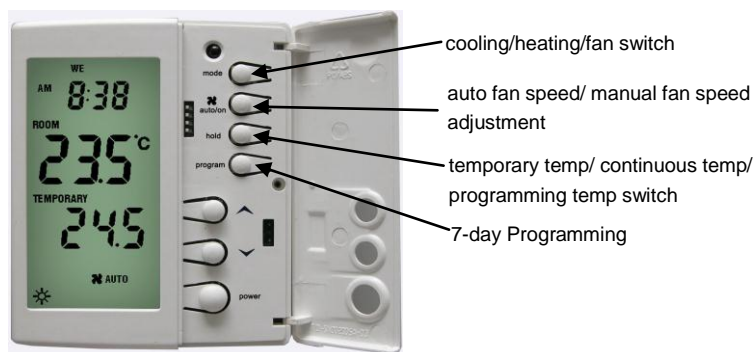
## Programmable Deluxe Thermostat

### F06-NS Series for Fan Coil Unit of AC Systems

#### Features

- ◆ Deluxe programmable thermostat for Fan Coil Unit of air conditioning systems. It's designed to maintain your desired room temperature by 7-days program.
- ◆ Many models for different FCU systems and also provide customized models.
- ◆ Setting and operation easily by perfect buttons and large LCD. Provides you a more comfortable and convenient living environment.
- ◆ Large LCD display with many messages for quick and easy checking and operation. Such as temperature measurement and set point, fan and valve working status, clock and program, etc.
- ◆ Attractive turn-cover design, most frequently used keys are located right beside the LCD for quick and easy operation. Program keys are located on the interior to eliminate accidental setting changes.
- ◆ Programmable control for your convenience with 7-day program of four time periods and four temperatures each day.
- ◆ All setup are kept on after the event of the power failure.
- ◆ Auto or manual fan speed switch selectable.
- ◆ °F or °C temperature display selectable.
- ◆ Constant hold feature allows continuous override.
- ◆ Temporary temperature override.
- ◆ Unique lockable function makes all keys locked to eliminate accidental operation.
- ◆ Key-card option keeps on the save energy temperature in non-occupancy for hotels and returns back automatically to the pre-set temperature once occupancy.
- ◆ Infrared remote control optional.
- ◆ Blue backlight optional
- ◆ RS485 communication interface optional

#### Buttons and LCD



#### Specifications

|                   |                                 |
|-------------------|---------------------------------|
| Power supply      | 230VAC / 110VAC ±10%            |
| Power consume     | ≤ 3W                            |
| Electrical rating | 2 amp maximum load per terminal |
| Sensor            | NTC 5K @25°C                    |



|   |   |
|---|---|
| Temperature degree                            | Celsius or Fahrenheit   |
| Temperature control range<br>(for heat/ cool) | 5~35°C (41~95°F)  |
| Accuracy                                      | ±0.5°C (±1°F) @25°C   |
| Programmability                               | One week/7-day programmable and up to four time periods and temperatures pre-set for each day |
| LCD Display                                   | 91mm(L)X46mm(W)   |
| Buttons                                       | On the surface: power/ increase/ decrease<br>Inside: for programming                          |
| Housing                                       | PC/ABS plastic material with IP30 protection class  |
| Net weight                                    | 370g  |
| Dimensions                                    | 110mm(L)×90mm(W)×25mm(H) +28.5mm(back bulge)  |
| Mounting standard                             | Mounting on the wall, 2"×4" or 65mm×65mm box  |

## Shipping Information

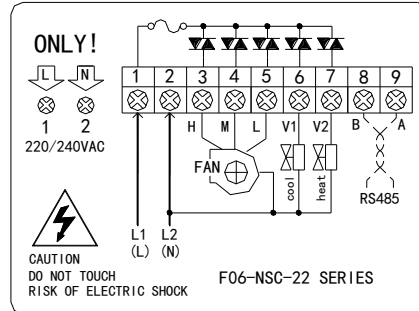
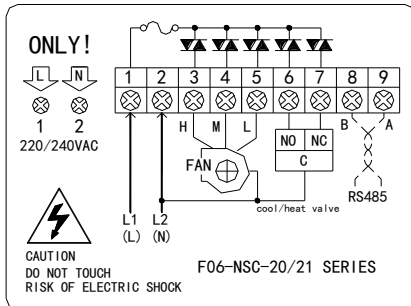
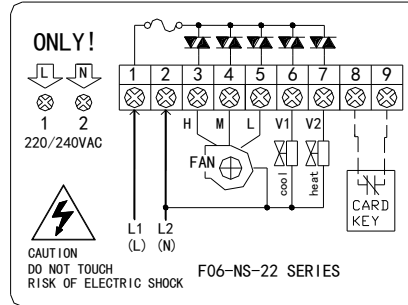
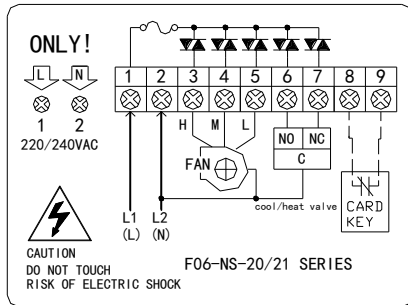
|                 |                         |
|-----------------|-------------------------|
| Indiv. Ctn. Dim | 135mm × 95mm x 55mm     |
| Master Ctn. Qty | 40                      |
| Master Ctn. Dim | 44cm(L)X32cm(W)X32cm(H) |
| Master Ctn. Wt. | 16KG                    |

## Models

|   | MODEL                       | DESCRIPTION   |
|---|-----------------------------|---|
| Programmable<br>Thermostat for<br>FCU Systems | F06-NS -20/21-(A)/(B)       | 3-speed fan control, 1*on/off output to control a 2-wire/3 wire water valve.<br>7-day program with 4 time periods and 4 temperatures each day.  |
|   | F06-NS -20/21-K<br>-(A)/(B) | 3-speed fan control, 1*on/off output to control a 2-wire/3 wire water valve.<br>Key-card function for occupancy & non-occupancy control.<br>7-day program with 4 time periods and 4 temperatures each day.      |
|   | F06-NSC-20/21-(A)/(B)       | 3-speed fan control, 1*on/off output to a 2-wire/3 wire water valve.<br>Modbus RS485 communication.<br>7-day program with 4 time periods and 4 temperatures each day.   |
| Power supply:<br>-(A): 230VAC<br>-(B):110VAC  | F06-NS-22-(A)/(B)           | 3-speed fan control, 2X on/off outputs to 2X 2-wire water valves for 4 pipes system. 7-day program with 4 time periods and 4 temperatures each day.   |
|   | F06-NS-22-K-(A)/(B)         | 3-speed fan control, 2X on/off outputs to 2X 2-wire water valves for 4 pipes system. Key-card function for occupancy & non-occupancy control.<br>7-day program with 4 time periods and 4 temperatures each day. |
|   | F06-NSC-22-(A)/(B)          | 3-speed fan control, 2X on/off outputs to 2X 2-wire water valves for 4 pipes system. Modbus RS485 communication.<br>7-day program with 4 time periods and 4 temperatures each day.                              |

| OPTIONS                   |  |
|---------------------------|--|
| Blue Backlight of LCD -EL | Blue backlight display of LCD, two display modes selectable by end users |
| Remote Control -R         | Infrared remote control  |

## Wiring Diagrams



## Mounting

